

The **art** of attentive bathing



Excel 600

HEIGHT-ADJUSTABLE BATH with Powered Swing Seat

Excel 600



Standard Arms

Seat with removable insert for more personal cleaning



Right-hand model shown.

(SAFE WORKING LOAD 24ST / 150KG)

Excel 600

The Excel 600 is a height adjustable bath for use in nursing situations or where particular care is required. The electrically-operated bath rises smoothly and quietly once the seat has been gently powered into the bath by the hand control. The bath is available in three different designs to suit a particular client and the environment in which it is to be used.



1700x750 end waste



1800x800 end waste



1700x750 centre waste



• Easy to use handset

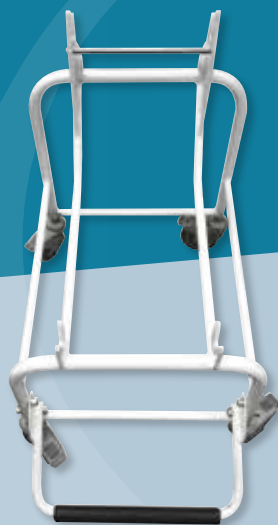
Excel 600

Optional Detachable Seat & Transporter

The Detachable Seat and Transporter enables the person being bathed to be taken from and to their bedroom, hoisted into the bath and bathed, without the need for additional lifting and handling.

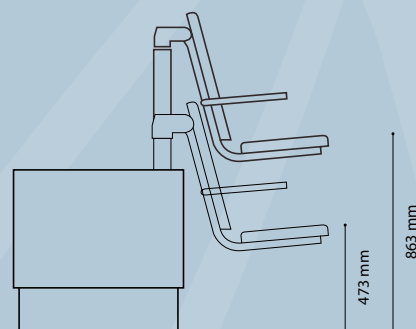
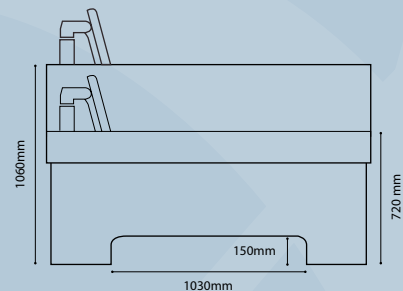
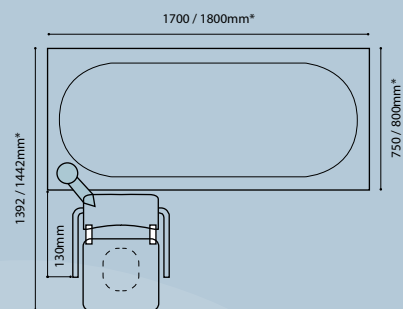


Seat Transporter



- Nursing Armrests (Optional)

Excel 600 Dimensions



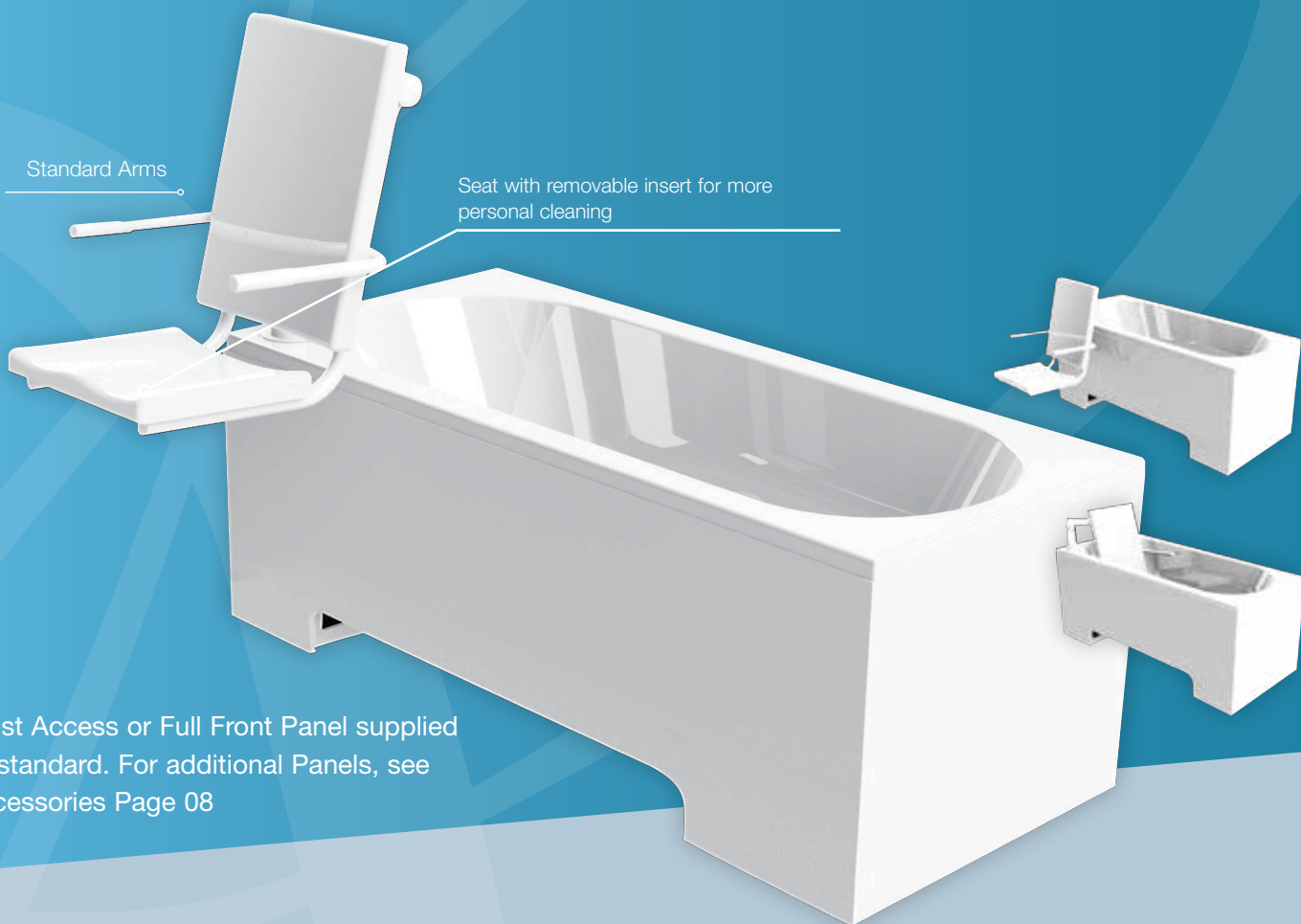
We endeavour to provide accurate information but product development may alter certain specifications



Excel 300

FIXED Bath with Powered Swing Seat

Excel 300



Hoist Access or Full Front Panel supplied as standard. For additional Panels, see Accessories Page 08

Hoist Access Panel option shown.

(SAFE WORKING LOAD 24ST / 150KG)

Excel 300

A fixed bath with a powered seat, both up and down and traversing in and out of the bath; the Excel 300 will be an ideal solution in many situations.



1700x750 end waste



1800x800 end waste



1700x750 centre waste



• Easy to use handset

Excel 300

Optional Detachable Seat & Transporter

The Detachable Seat and Transporter enables the person being bathed to be taken from and to their bedroom, hoisted into the bath and bathed, without the need for additional lifting and handling.

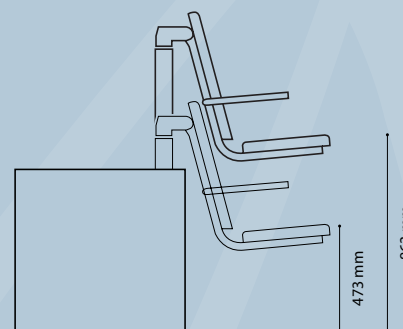
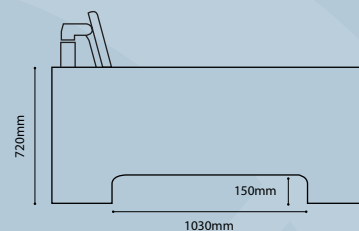
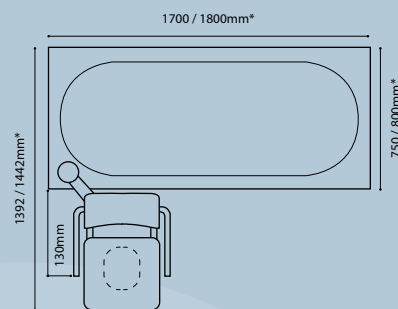


Seat Transporter



- **Nursing Armrests (Optional)**

Excel 300 Dimensions



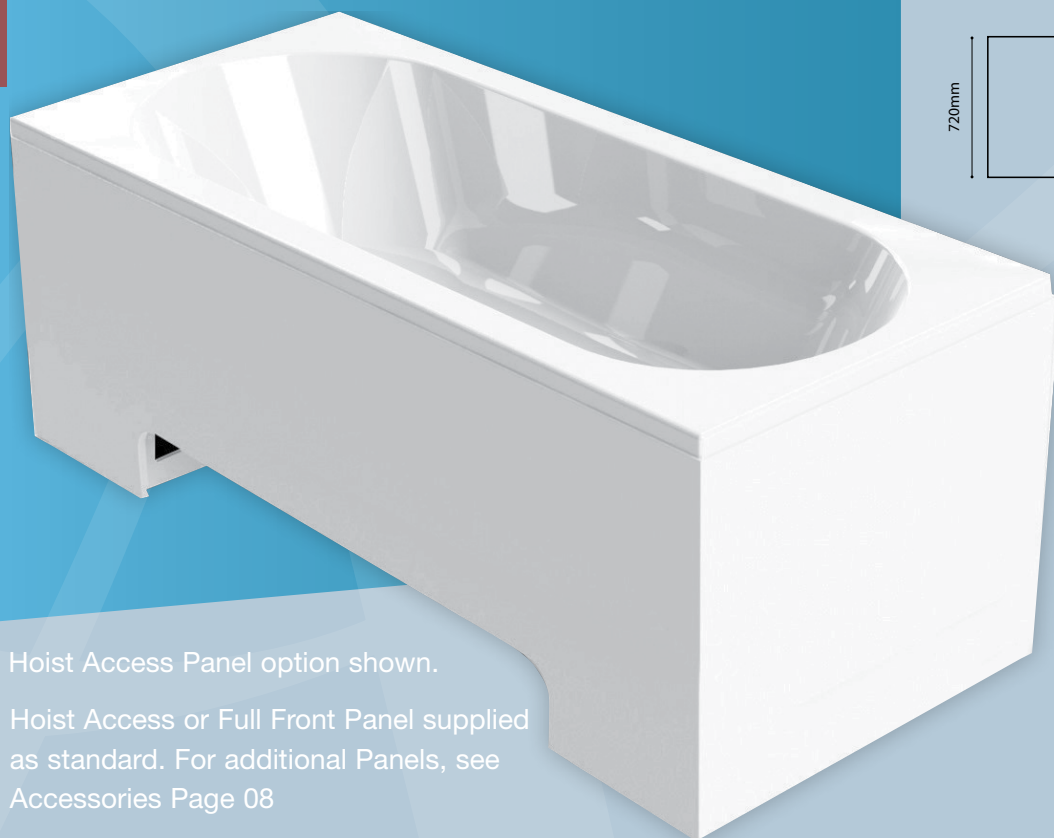
We endeavour to provide accurate information but product development may alter certain specifications



Excel 100

Fixed bath only

Excel100



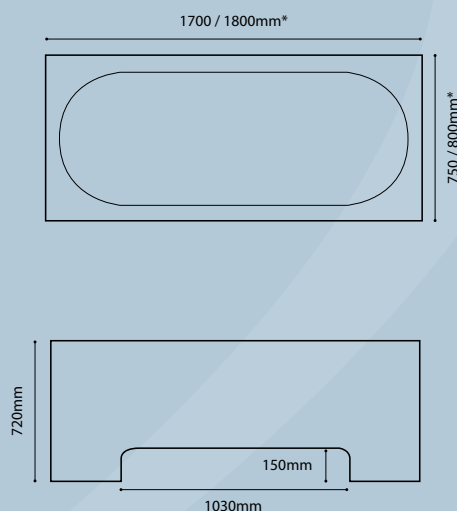
Hoist Access Panel option shown.

Hoist Access or Full Front Panel supplied as standard. For additional Panels, see Accessories Page 08

Excel 100

A fixed bath only, with hoist access panels for use where a mobile hoist is required, or Full Height Panel if a ceiling track system or fixed hoist is being used, to get the bather in and out of the bath.

Excel 100 Dimensions



1700x750 end waste



1800x800 end waste



1700x750 centre waste



We endeavour to provide accurate information but product development may alter certain specifications

Excel 400

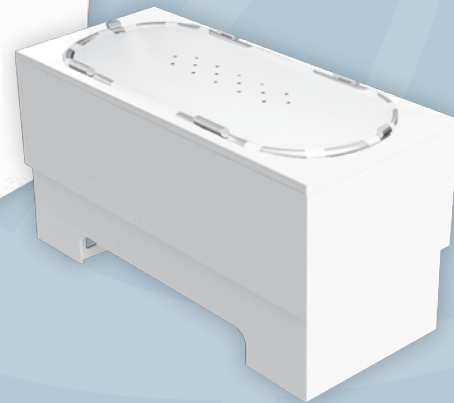
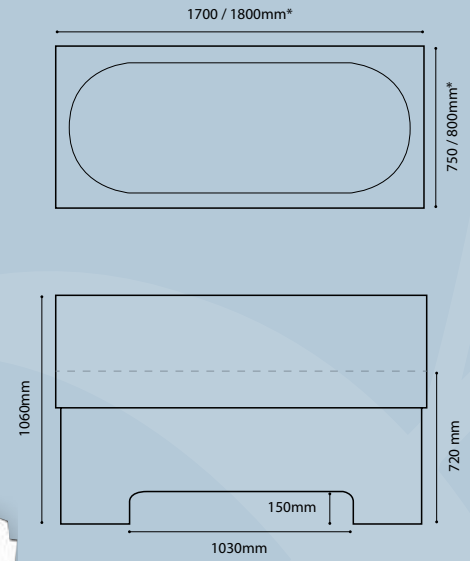
HEIGHT-ADJUSTABLE BATH, no seat

Excel400



(SAFE WORKING LOAD
30ST / 185KG)

Excel 400 Dimensions



Excel 400

If a seat is unsuitable for the person being bathed and a sling or cradle is a more practical/comfortable option, then this Height-adjustable Excel 400 gives the carer the ability to raise the bath to an easier working height.

Removable Changing Top, available for 1700x750
Centre Waste and 1800x800 End Waste models

(SAFE WORKING LOAD
16ST / 100KG)



1700x750 end waste



1800x800 end waste



1700x750 centre waste

• Easy to use handset



We endeavour to provide accurate information but product development may alter certain specifications

Accessories/Options



• **Lever Taps**



• **Bath Filler**



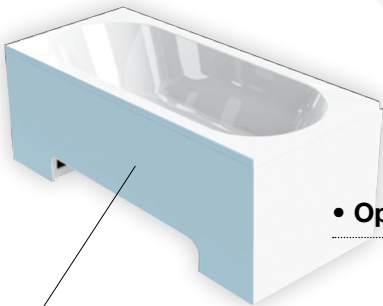
• **TMV3 Shower System (Cat 5 Fluid Safe)**



• **TMV2 Bath/Shower Mixer**

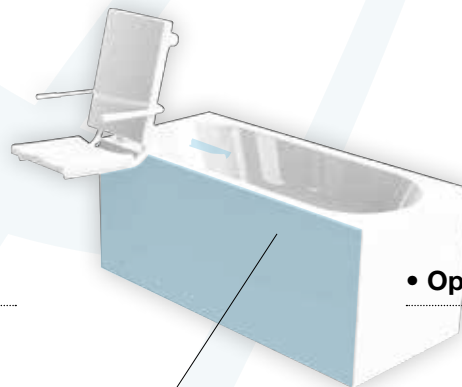


• **Bath/Shower Mixer with top fixing shower hose. For use in conjunction with Changing Tops.**



• **Optional End Panel**

• **Additional Hoist Access Side Panel**



• **Optional End Panel**

• **Additional Full Side Panel**

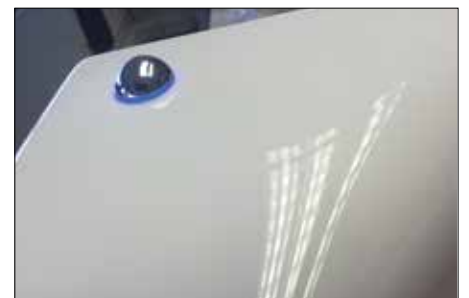
Sensory Options



• **Colour Changing lights**



• **12 Jet, Three Speed Air Spa**



• **Bluetooth Audio System**

Accessories/Options



• **Head support**



• **Knee support with Cushions**



• **Seat Cushion**



• **Changing top**

Suit 1700x750 Centre Waste and
1800x800 End Waste Models



• **Large Support Cushion**



• **Medium Support Cushion**

Bath Seats



Cradles & Transporter



The Marius



The Marius

The Marius

900mm deep x 650mm wide x 860mm high

The Marius is designed to go into the smallest of spaces and the inward-opening door at the front with its patented double-hinge arrangement allows for easy access in a very small space. Once in the tub, there is a moulded seat which the bather can sit on whilst having a long soak. Bath is available with left-hand hinged door only. Double wastes allow for quick emptying.

The bath is supplied with twin wastes and one side panel as standard. If required, an additional side panel is available as an optional extra.

The Phocas

The Phocas



The Phocas

1210mm long x 650mm wide x 945mm high

The Phocas has a contemporary glass inward-opening door into the bath and a moulded seat for the bather to relax on. Twin wastes drain the bath quickly and the bath can be supplied with the door on the left or right-hand side depending on the layout of your bathroom. (Left-hand bath pictured).

Supplied with a front panel and one end panel as standard, an additional end panel is available if the bath is to be installed away from the side walls.



The Valens

LUCYTE®
ACRYLIC SHEET



- Fully formed acrylic bath tub with a separate operating glass door and bath screen
- Easy twist pop up bath waste or overflow fill (optional)
- Battery back up in case of power failure supported by an audible alarm
- Water sensor ensures the door remains inactive until water has passed below a certain level
- Soft Gel headrest (optional)

- **Left Hand option shown**

The Valens features

- Fully formed acrylic bath tub with a separate operating glass door and bath screen
- Easy twist pop up bath waste or overflow fill (optional)
- Battery back up in case of power failure supported by an audible alarm
- Water sensor ensures the door remains inactive until water has passed below a certain level
- Soft Gel headrest (optional)



Step One
Bath screen is easily folded into or out of the bath



Step Two
Door and screen are made from tempered safety glass



Step Three
Door is operated electronically by a touch button and an indicator light shows when the bath is fully sealed



Step Four
Low threshold height allowing easy access



Step Five
Simply close the door for a secured bathing experience



Step Six
If showering is your choice the shower screen sits snugly over the bath door with the assistance of magnets



Bath screen opens into and away from the bath



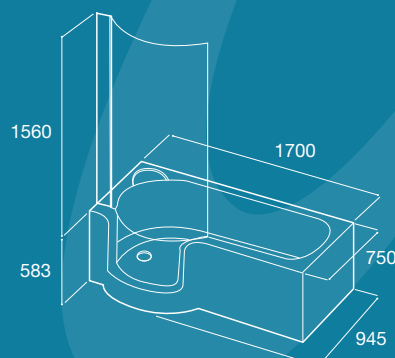
Door folds into bath allowing wide access



Easy twist handle on either (optional) waste for easier use



Electronic door operating button



Left Hand model shown
Right Hand model also available

* Bath is 945mm at widest point

The Talis

LUCYTE®
ACRYLIC SHEET



The Talis 1700 x 800mm

An innovative design developed with white, black, and high gloss white panels to suit your decor (shown opposite). This bath offers the option of an ultra low threshold allowing you easier access. A Rectangular model can be supplied with or without bath screen.

- Right Hand option shown

The Talis features

- Battery back up in case of power failure supported by an audible alarm
- Water sensor ensures the door remains inactive until water has passed below a certain level
- Easy twist pop up bath waste or overflow fill (optional)



Step One
Optional bath screen available



Step Two
Choice of panel finishes for the modern bathroom



Step Three
Bath available LH or RH.
(RH model shown)



Step Four
Easy to operate pop up waste.
Overflow filler available (both optional extra)



Step Five
Ultra Low level can be achieved for easier access (approximately 80mm)



Step Six
Door swings into bath for maximum access

It's Your choice...



White High Gloss



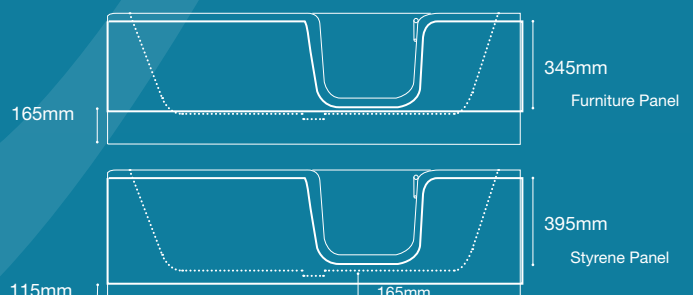
Black High Gloss



White Styrene Panel



Right Hand model shown
Left Hand model also available





OUR HERITAGE

Renaissance are one of the major bath manufacturers in the UK and have been manufacturing quality baths for over 30 years.

A family-owned business, the company has thrived on its ability to listen to its customers and develop products that are right for the market and particularly the end user.

IN-HOUSE DEVELOPMENT

Its in-house Engineering Division has successfully designed and developed machinery and tools for many clients and has now developed the enclosed range of assisted baths that offers quality, style, practicality and value.

UK MANUFACTURER



As a British manufacturer we are proud to “Fly the Flag” and help to maintain and develop employment in the manufacturing sector in the UK.

QUALITY PRODUCTS AND QUALITY MANUFACTURING

Our baths have CE approval and where appropriate use components that are TMV2, TMV3 or WRAS approved. All baths with electrical systems have battery back-up that allows the bath to continue to complete its cycle if power to the bath was disconnected at any time.

GUARANTEE

By using high quality materials and advanced manufacturing techniques, Renaissance make baths which carry a 25 year guarantee against manufacturing or material defects, (Marius and Phocas, five years), whilst all moving parts carry a 12 month guarantee. Terms and Conditions apply. Details on request.

SERVICING AND MAINTENANCE

The power baths require servicing and we offer on-going Service and Maintenance packages depending on where the bath is being used.



Contact Us

Pennywell Industrial Estate, Sunderland,
Tyne & Wear SR4 9EN.
T: 0191 534 6061 F: 0191 534 3626
www.renaissance-baths.co.uk

06/16

We endeavour to provide accurate information but product development may alter certain specifications



GOT A SMART PHONE

Visit your app store to find a barcode reader for your device

